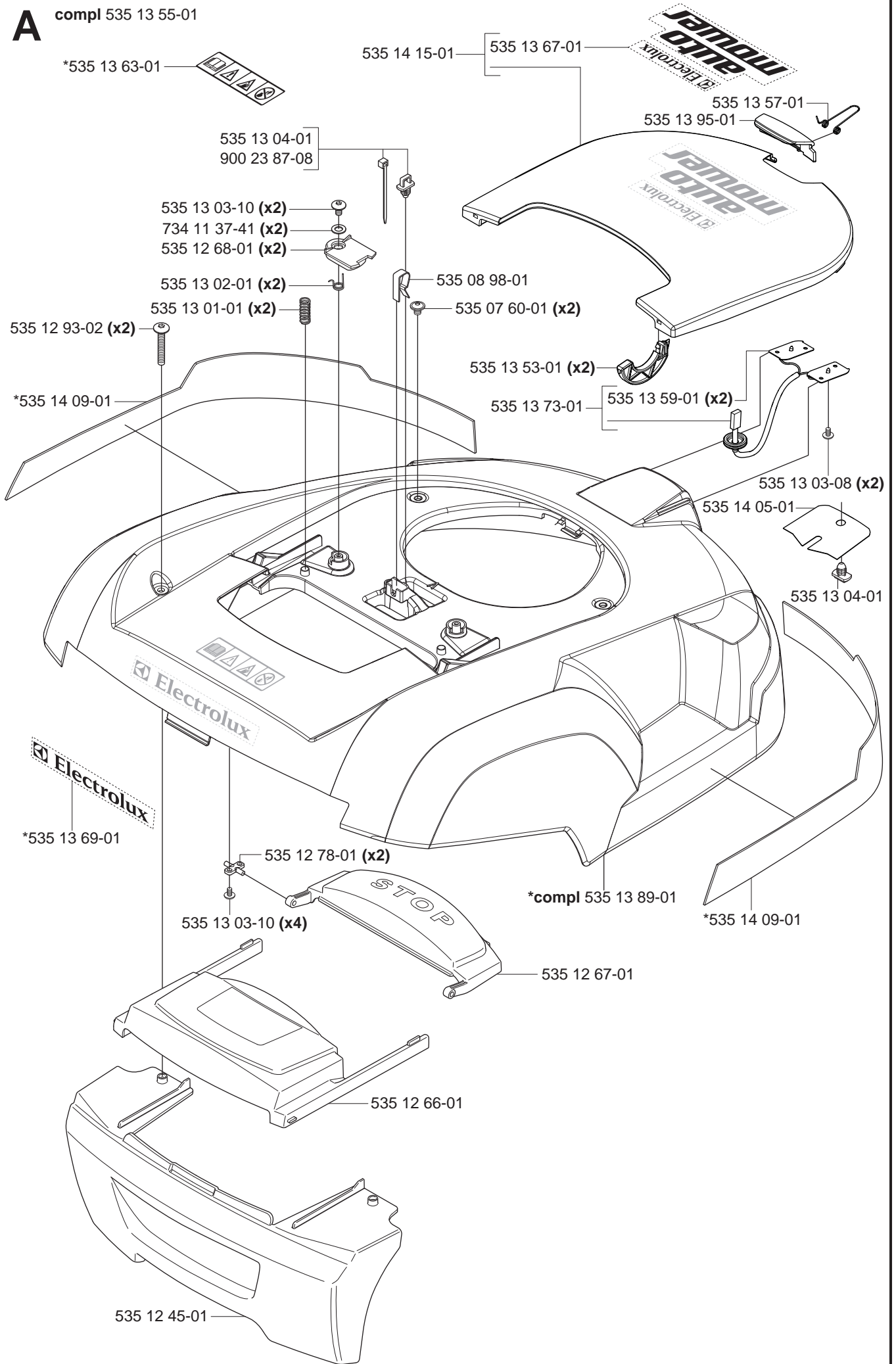
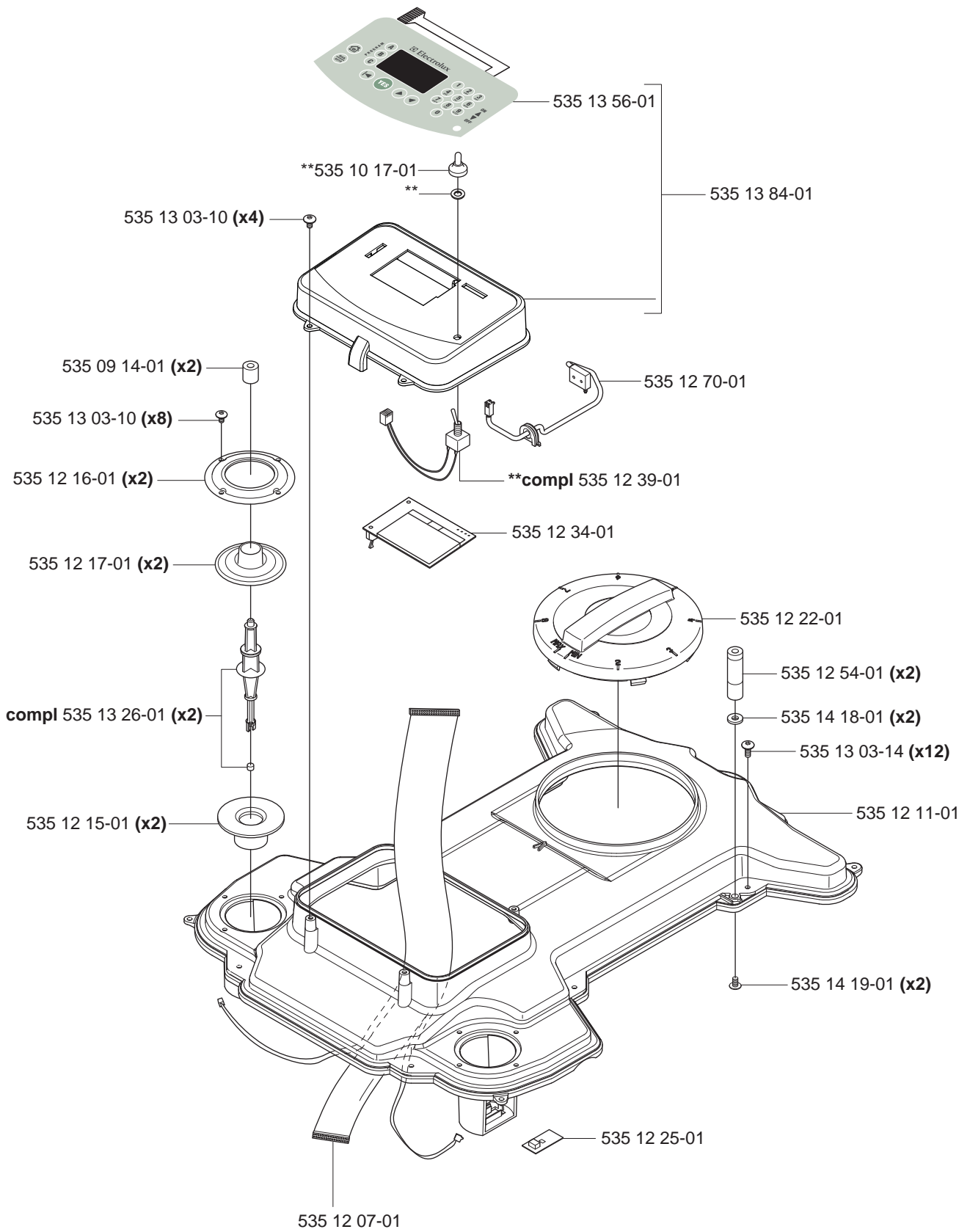


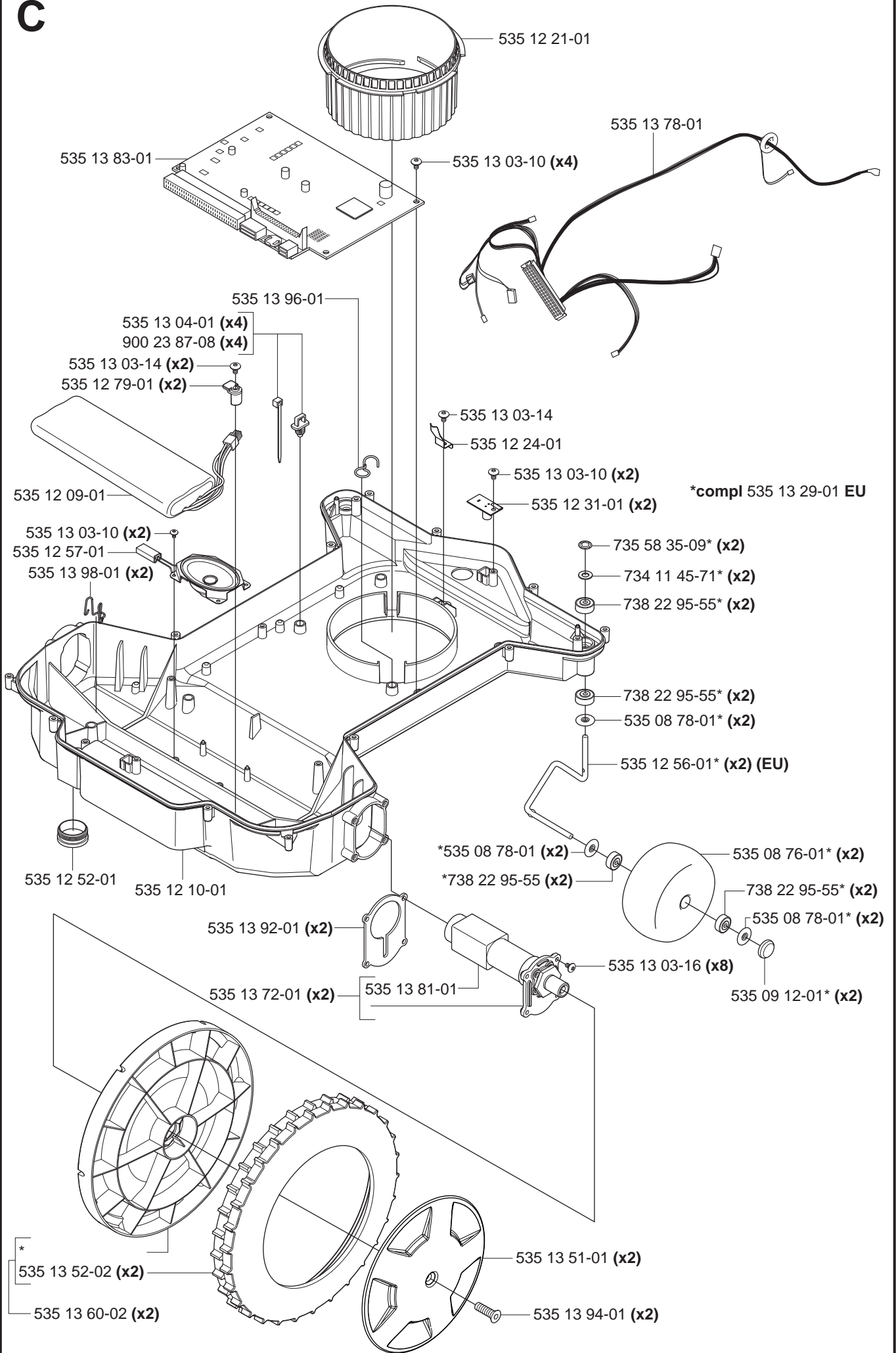
A compl 535 13 55-01



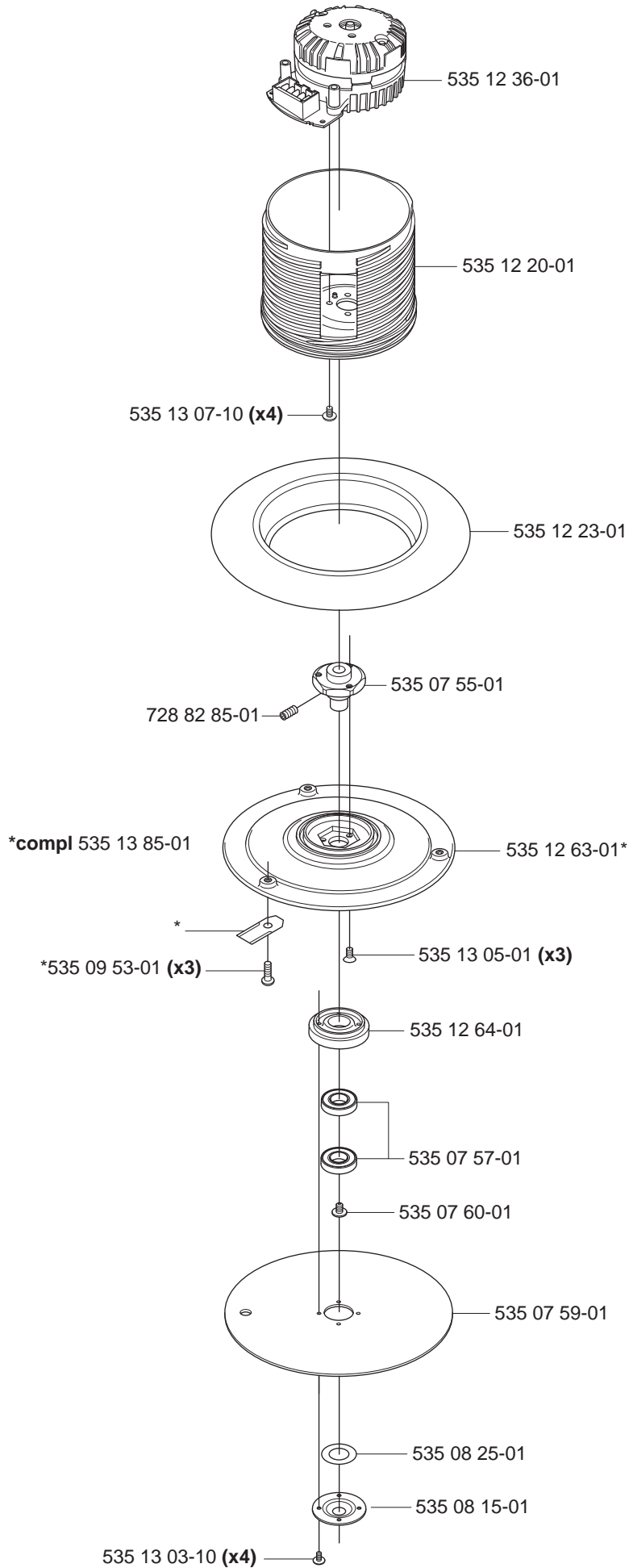
B

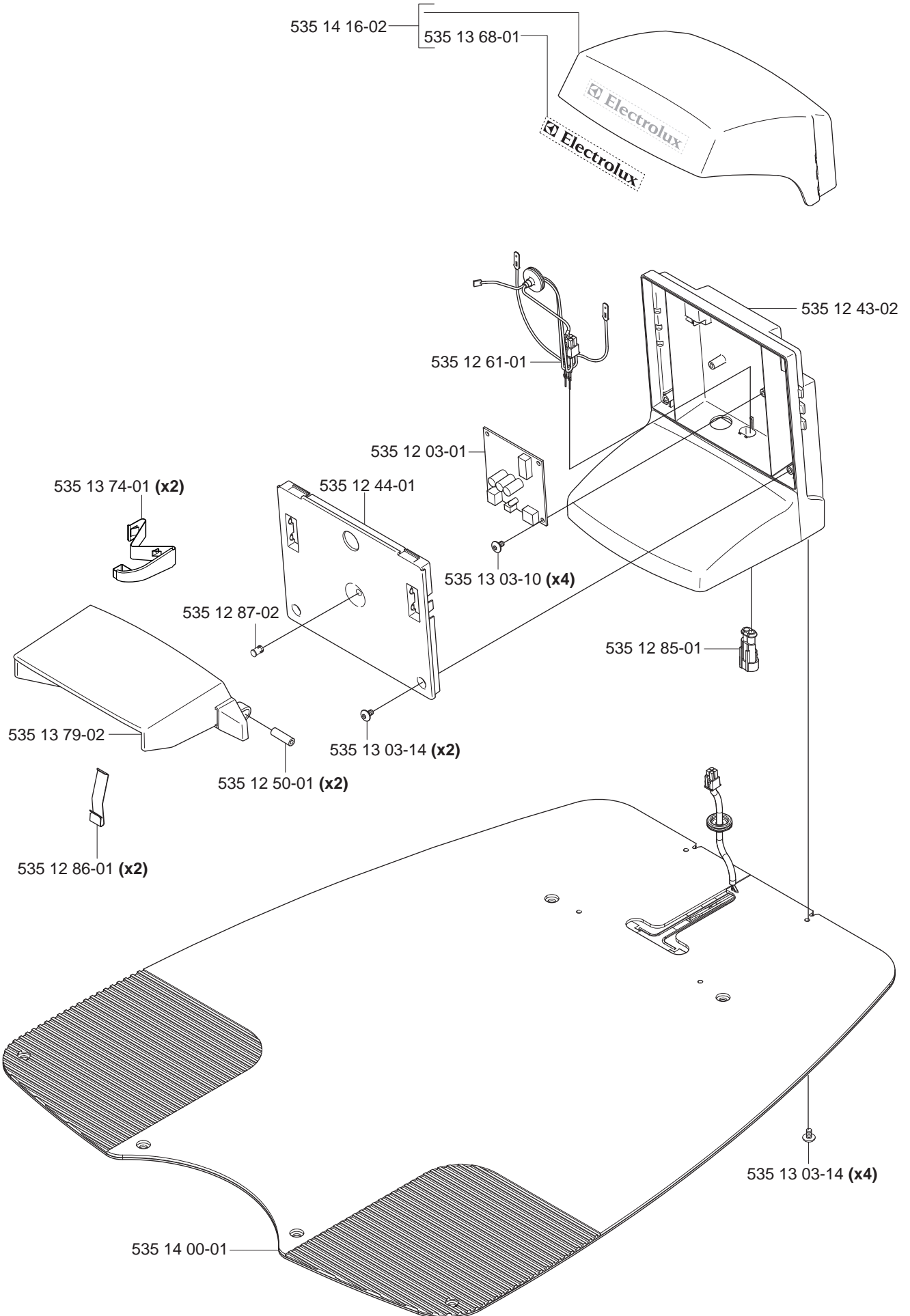


C

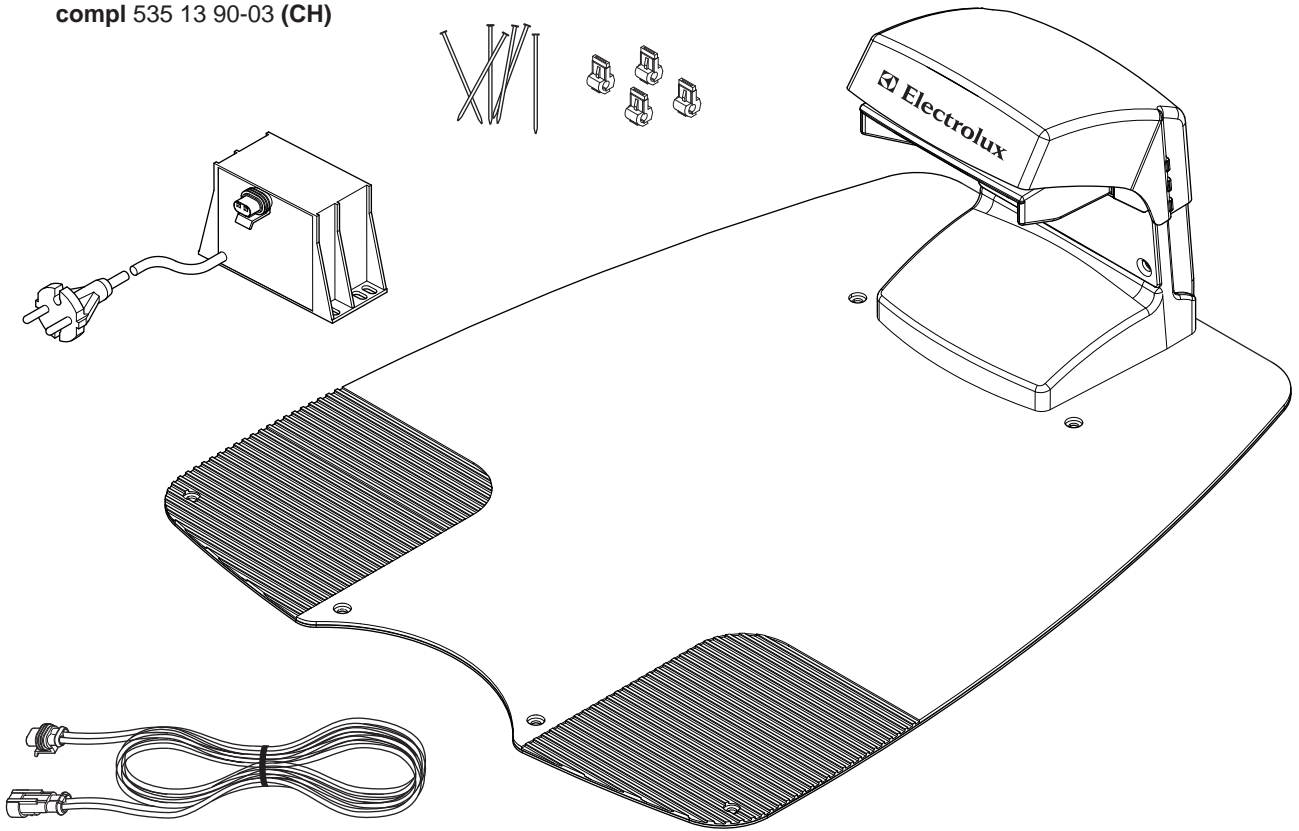


D

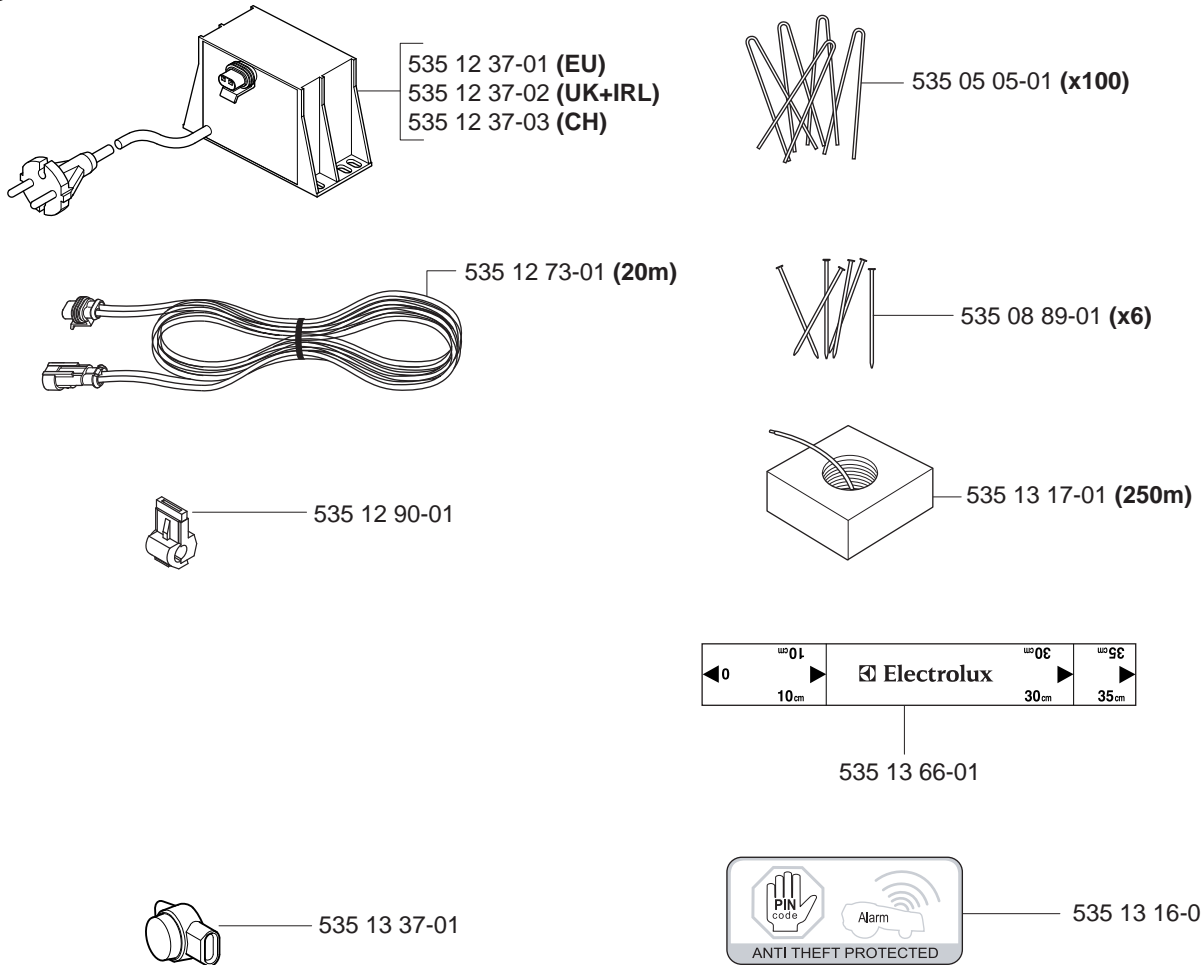




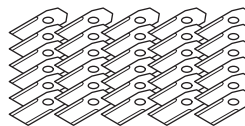
F compl 535 13 90-01 (EU)
 compl 535 13 90-02 (UK)
 compl 535 13 90-03 (CH)



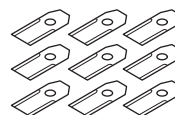
G



H Accessories
Zubehöre
Accessoires
Acessorios
Tillbehör



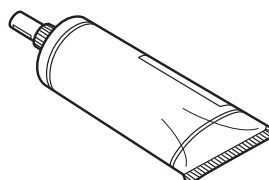
535 13 88-01 (x30)



535 13 87-01 (x9)



505 69 99-91



535 14 12-01